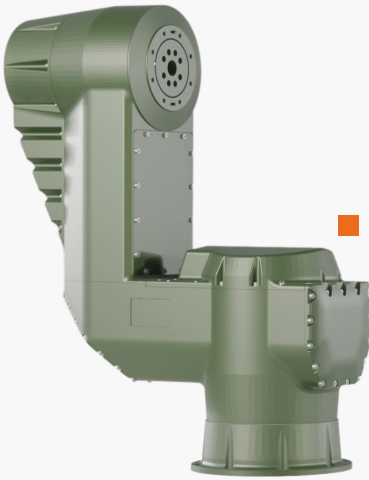
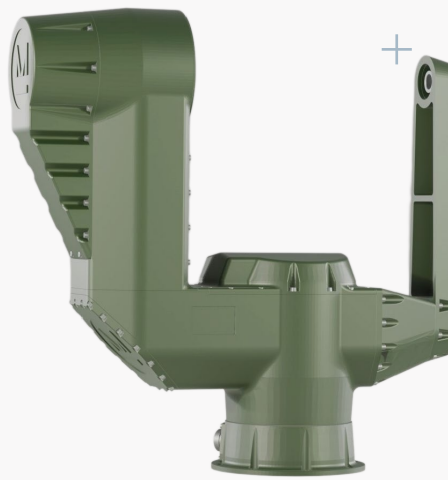


MSP-L



MSP-U



MSP-T



MSP PAN&TILT

High-precision two-axis Pan&Tilt system, configurable with interchangeable payloads. Easy installation on vehicles and static surveillance platforms, allowing its use in multiple applications.

MSP is a pan&tilt platform designed to position payloads in azimuth and elevation, controlled from a command panel. Its high precision and repeatability, in addition to its gyro-stabilization capability, make it suitable for use in artillery systems that require long-range targeting, as well as in advanced observation and surveillance systems.

Its flexibility allows for the attachment of a wide variety of payloads, ranging from electro-optical sensor blocks to antennas or weapon mounts.

Three models are available: MSP-L, MSP-U, and MSP-T, with different shapes and payload capacities, depending on the needs. Its easy installation enables quick attachment to vessels, light and heavy vehicles, fixed surveillance posts, shelters, etc., making it suitable for any type of application.

KEY FEATURES

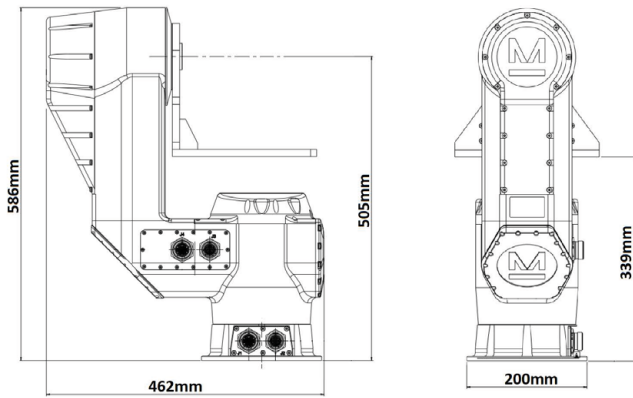
- Azimuth 360° continuous rotation
- Elevation -20° to +80° (MSP-L/U)
- Elevation -40° to +90° (MSP-T)
- Configurable limits
- High precision, zero-backlash
- Gyro-stabilization optional
- MIL-STD-1275E (vehicles)
- MIL-STD-810G (ambiental)
- MIL-STD-461E (EMC)
- Connectivity with payload: (HD-SDI / Ethernet / RS422)
- Control panel optional

APPLICATIONS

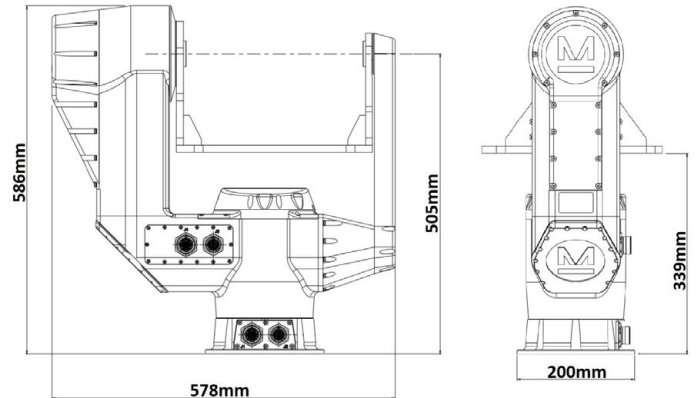
- Border and coast surveillance
- Target designation
- Drone-defense systems
- Weapon stations
- Laser

HIGH PRECISION PAN & TILT: MSP FAMILY ■

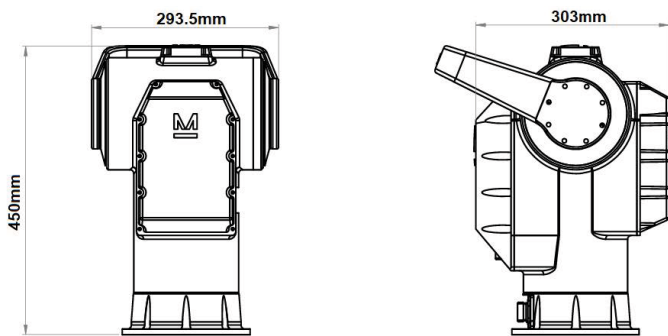
MSP-L DIMENSIONS ■



MSP-U DIMENSIONS



MSP-T DIMENSIONS +



JOYSTICK (OPTIONAL) ■



	MSP-L	MSP-U	MSP-T
Dimensions	462 x 586 x 308mm	578 x 586 x 308mm	260 x 450 x 260mm
System mass (without payload)	32,5Kg	37,5Kg	25Kg
Payload capacity	1x 25Kg	1x 32Kg	2x 30Kg
Azimuth - slew rate		0,3 mrad/s - 1,5 rad/s	
Azimuth - max. acceleration		3 rad/s ²	
Azimuth - angle range		360° continuous rotation	
Azimuth - precision		18bits / 24urad	
Elevation - slew rate		0,3 mrad/s - 1,5 rad/s	
Elevation - max. acceleration		3 rad/s ²	
Elevation - angle range	from -20° to +80°	from - 20° to +80°	from -40° to + 90°
Elevation - precision		18bits / 24urad	
Gyro-stabilization		2 axis (optional)	
Working temperature range		from -25°C to +60°C	
IP protection grade		IP65	
Certification		MIL-STD-1275E / MIL-STD-810G / MIL-STD-461E	
Input voltage range		from 16Vdc to 40Vdc	
Power consumption	250W	300W	250W
Available on-board power for payload	300W	300W	300W
Conectivity with payload		2xHD-SDI + 1xEthernet + 1xRS422	

TEL +34 671 90 58 56 ■

WEB www.mecanusinnovacion.com

MAIL contacto@mecanusinnovacion.com

Mecanus Innovacion SL

CEEI ARAGÓN - C/ María de Luna 11, Nave 11

50018 Zaragoza (Spain)